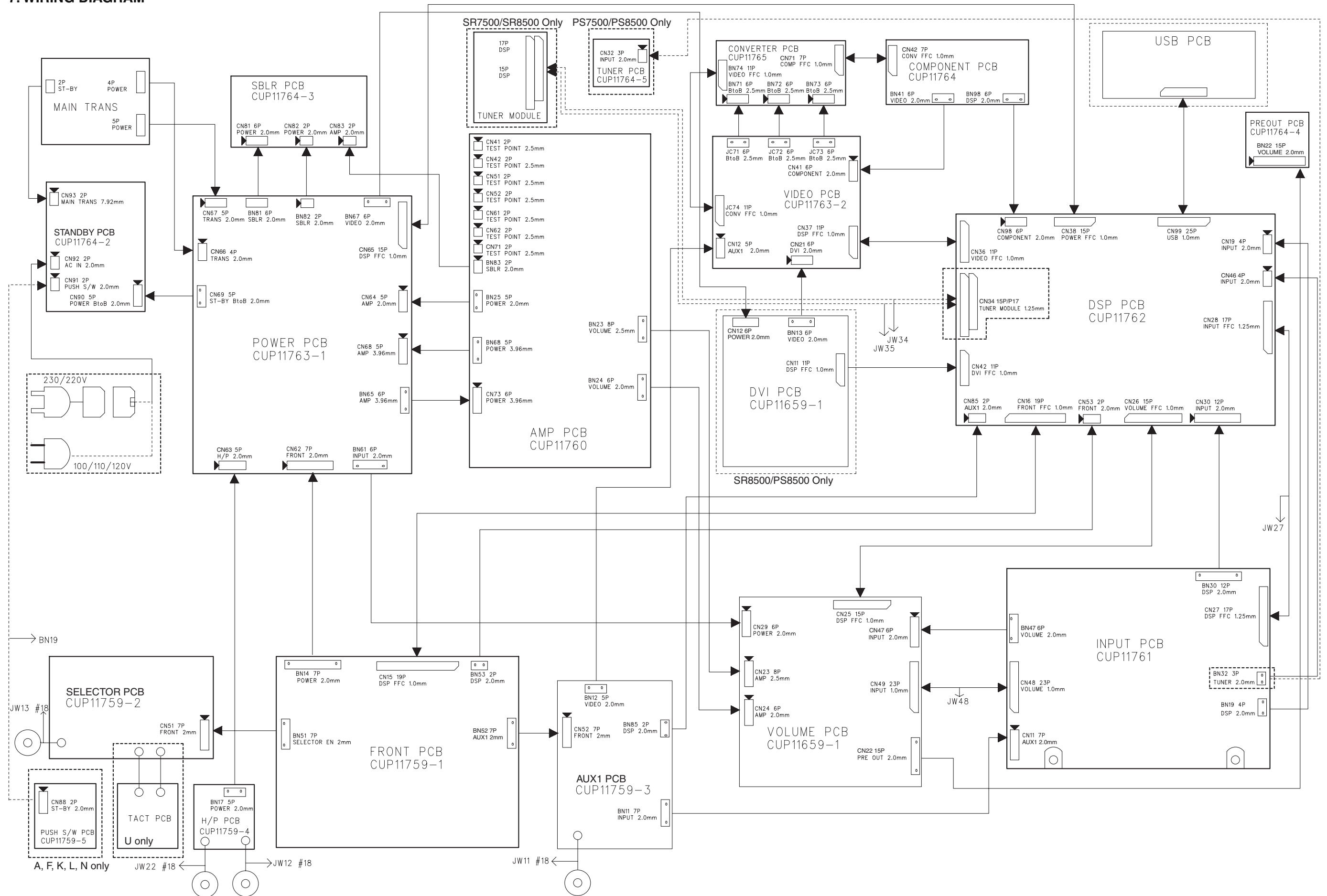
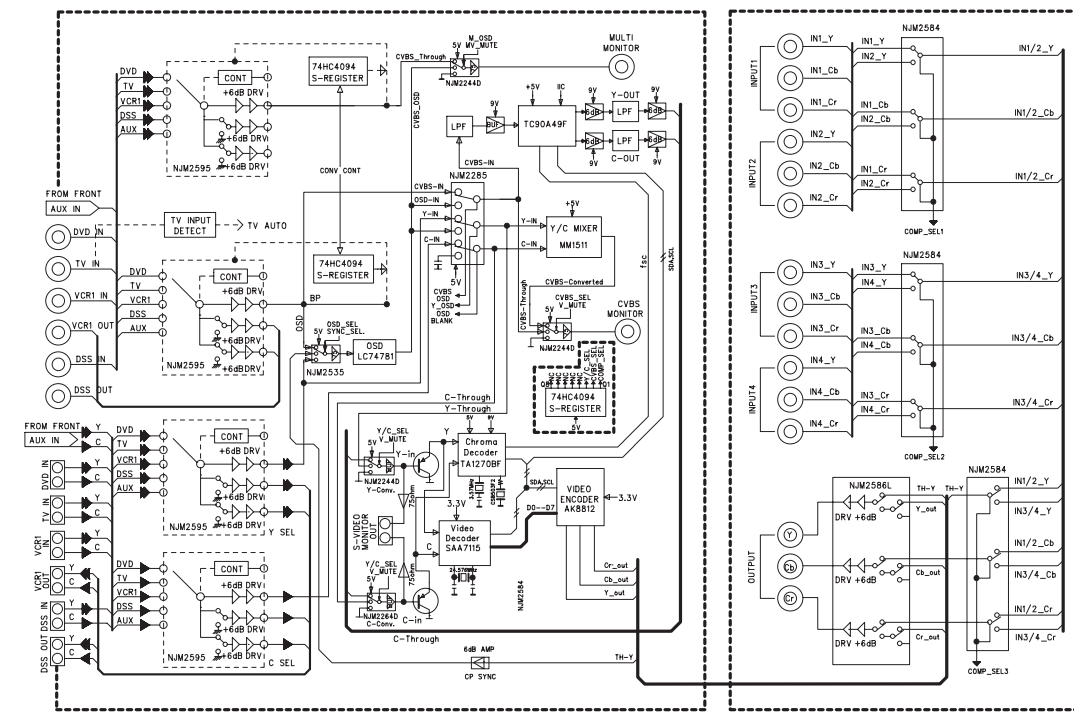
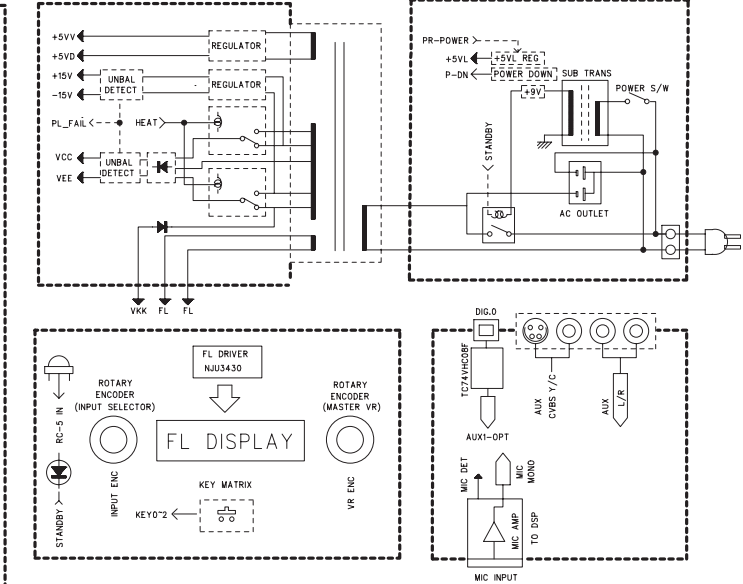
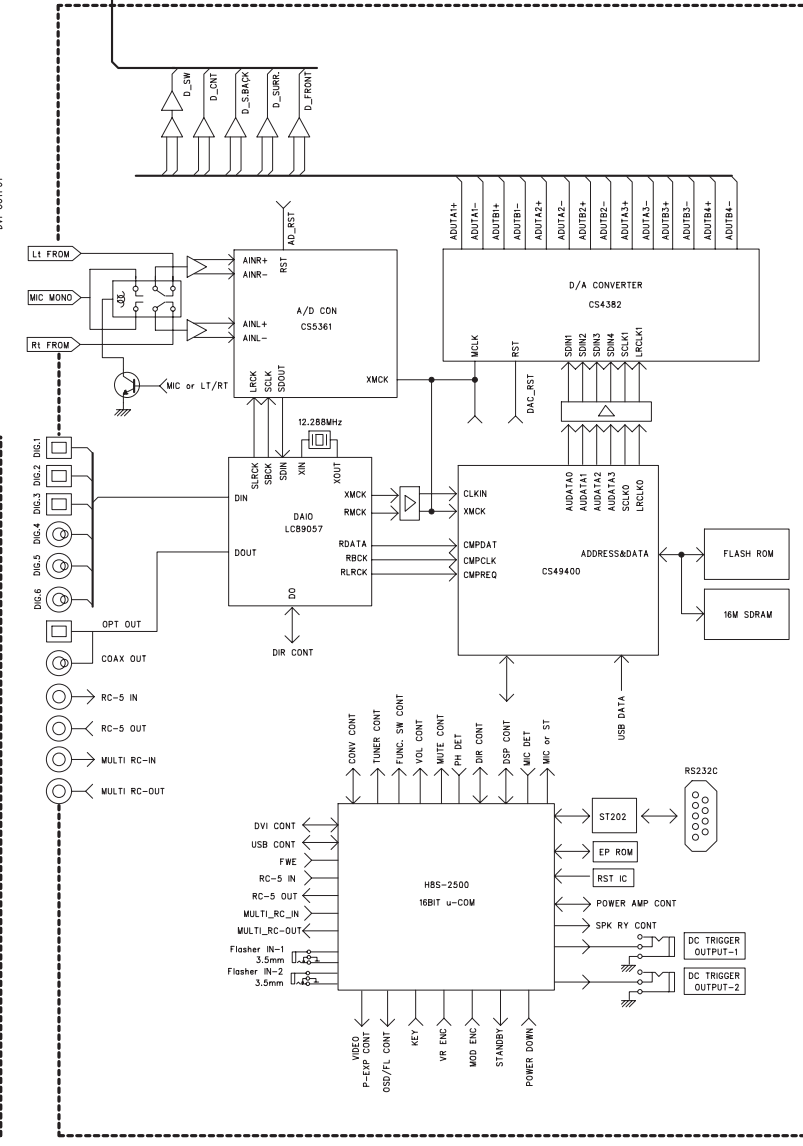
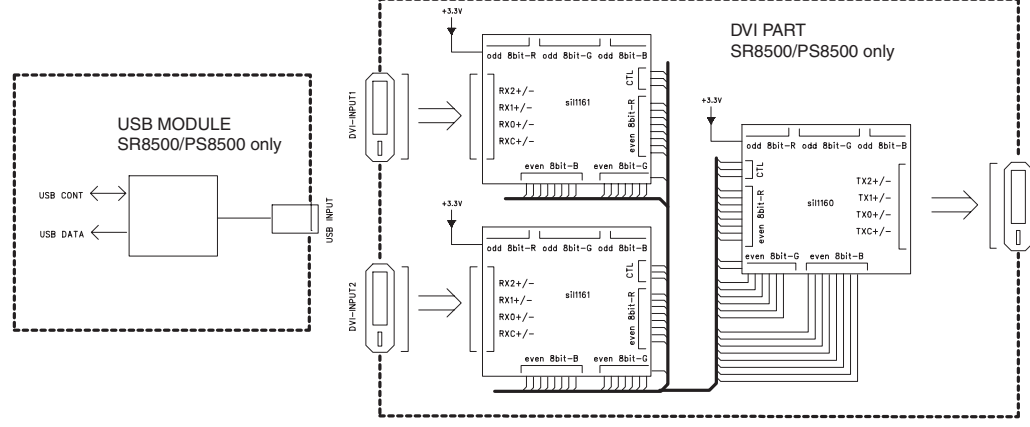
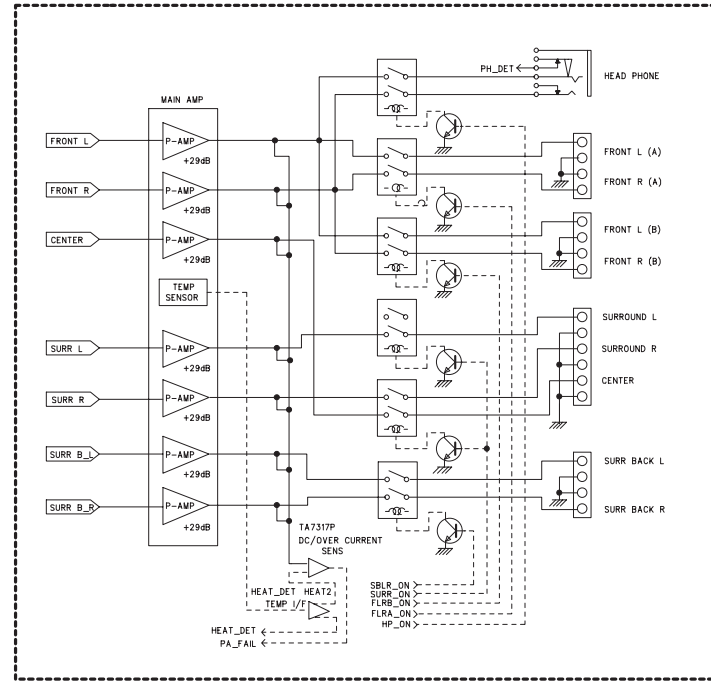
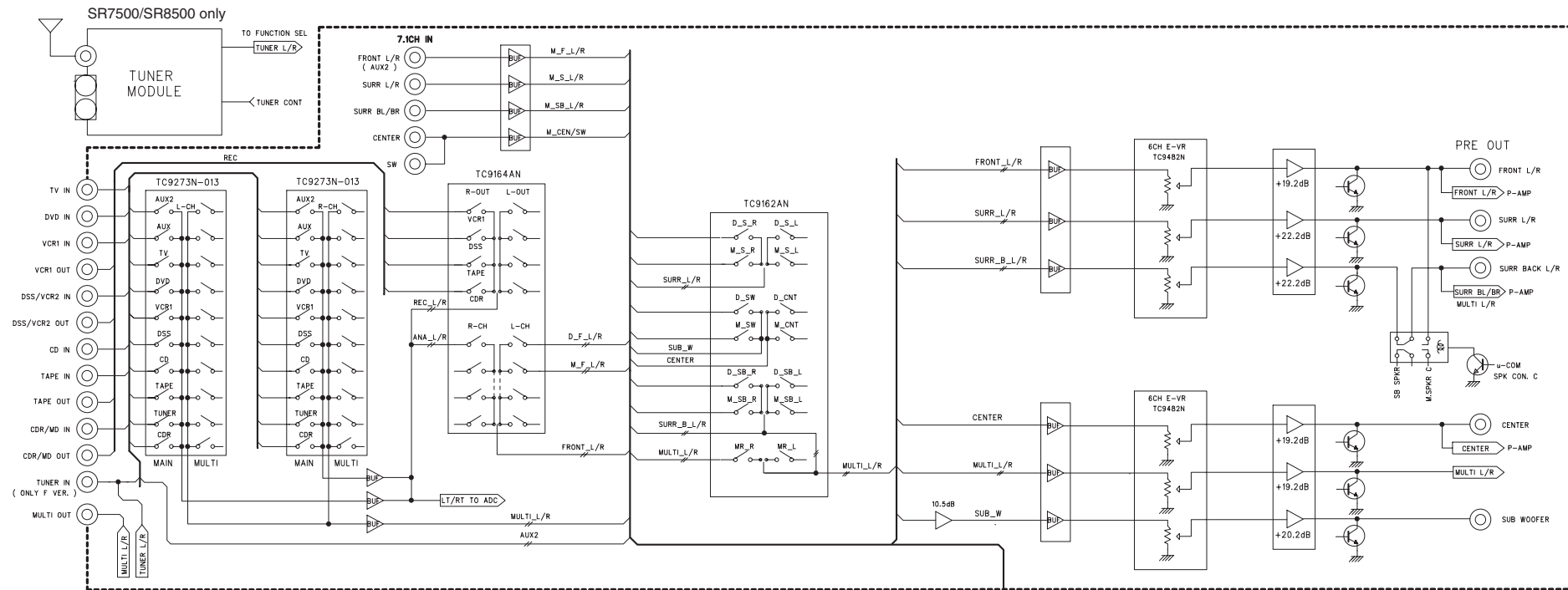


7. WIRING DIAGRAM

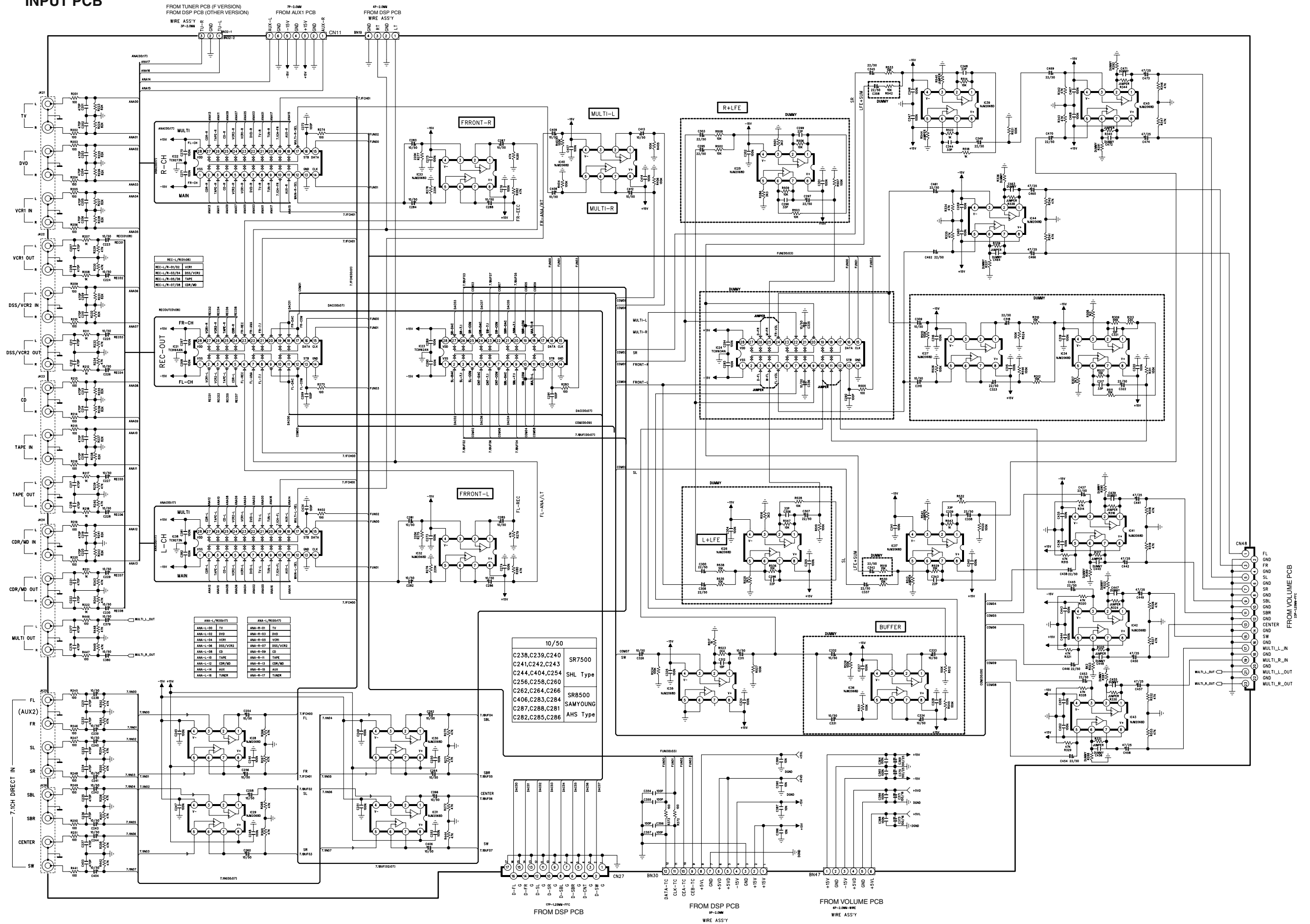


8. BLOCK DIAGRAM



9. SCHEMATIC DIAGRAM

INPUT PCB



FROM TUNER PCB (F VERSION)
FROM DSP PCB (OTHER VERSION)

REC-L/R-01/02 VCR
REC-L/R-03/04 DSS/VCR
REC-L/R-05/06 TAPE
REC-L/R-07/08 CDR/MP

RECORDER08
REC01 REC02 REC03 REC04 REC05 REC06 REC07 REC08

ANA-L/PROD01
ANA-L-02 TV
ANA-L-03 DVD
ANA-L-04 VCR
ANA-L-05 DSS/VCR
ANA-L-06 CS
ANA-L-07 TAPE
ANA-L-08 CDR/MP
ANA-L-09 AUX
ANA-L-10 TUNER

ANA-R/PROD01
ANA-R-02 TV
ANA-R-03 DVD
ANA-R-04 VCR
ANA-R-05 DSS/VCR
ANA-R-06 CS
ANA-R-07 TAPE
ANA-R-08 CDR/MP
ANA-R-09 AUX
ANA-R-10 TUNER

10/50
C238,C239,C240
C241,C242,C243
C244,C404,C254
C256,C258,C260
C262,C264,C266
C406,C283,C284
C287,C288,C281
C282,C285,C286

SR7500
SHL Type
SR8500
SAMYOUNG
AHS Type

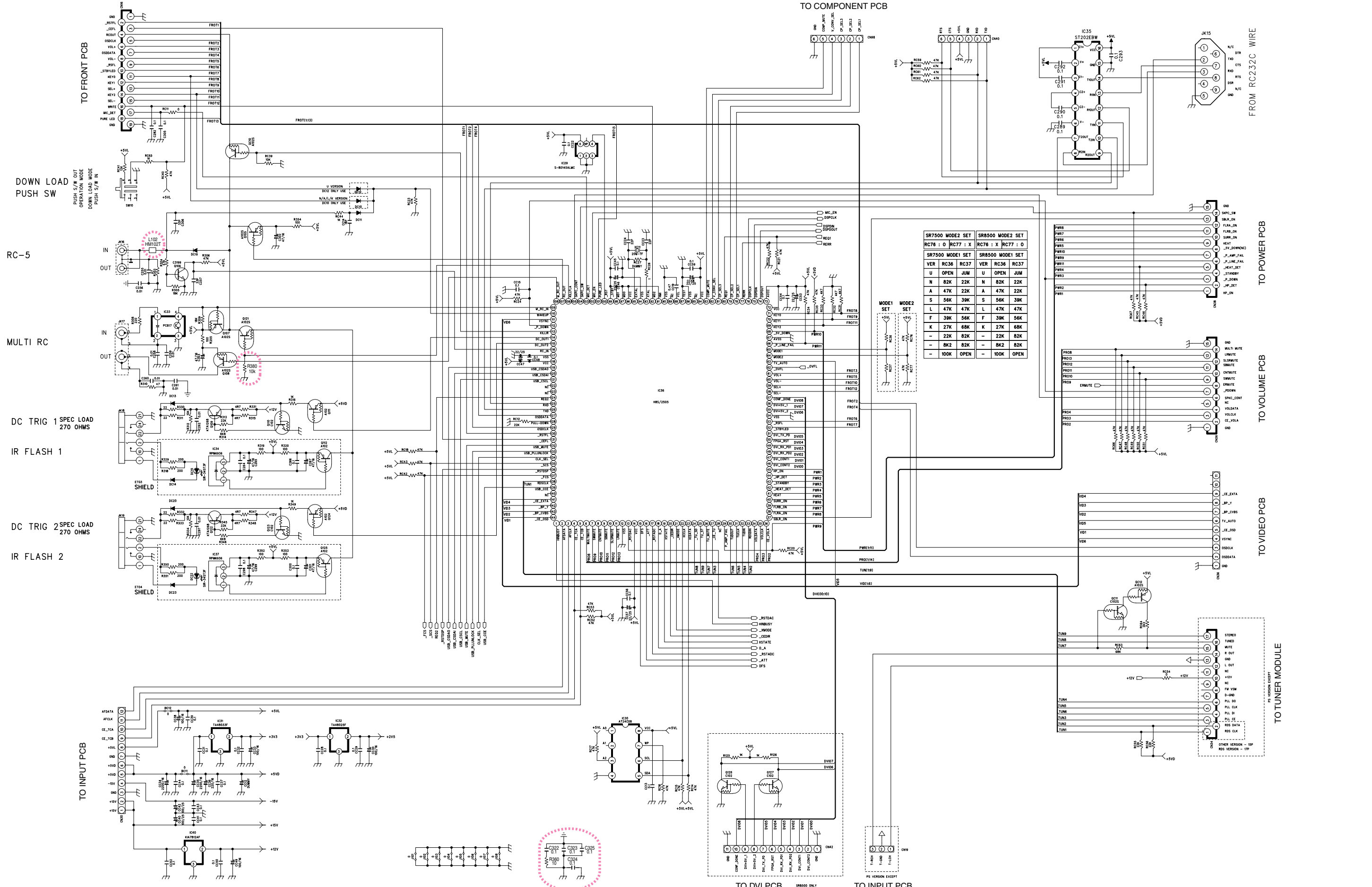
FROM DSP PCB

FROM DSP PCB
9P-2.0MM
WIRE ASS'Y

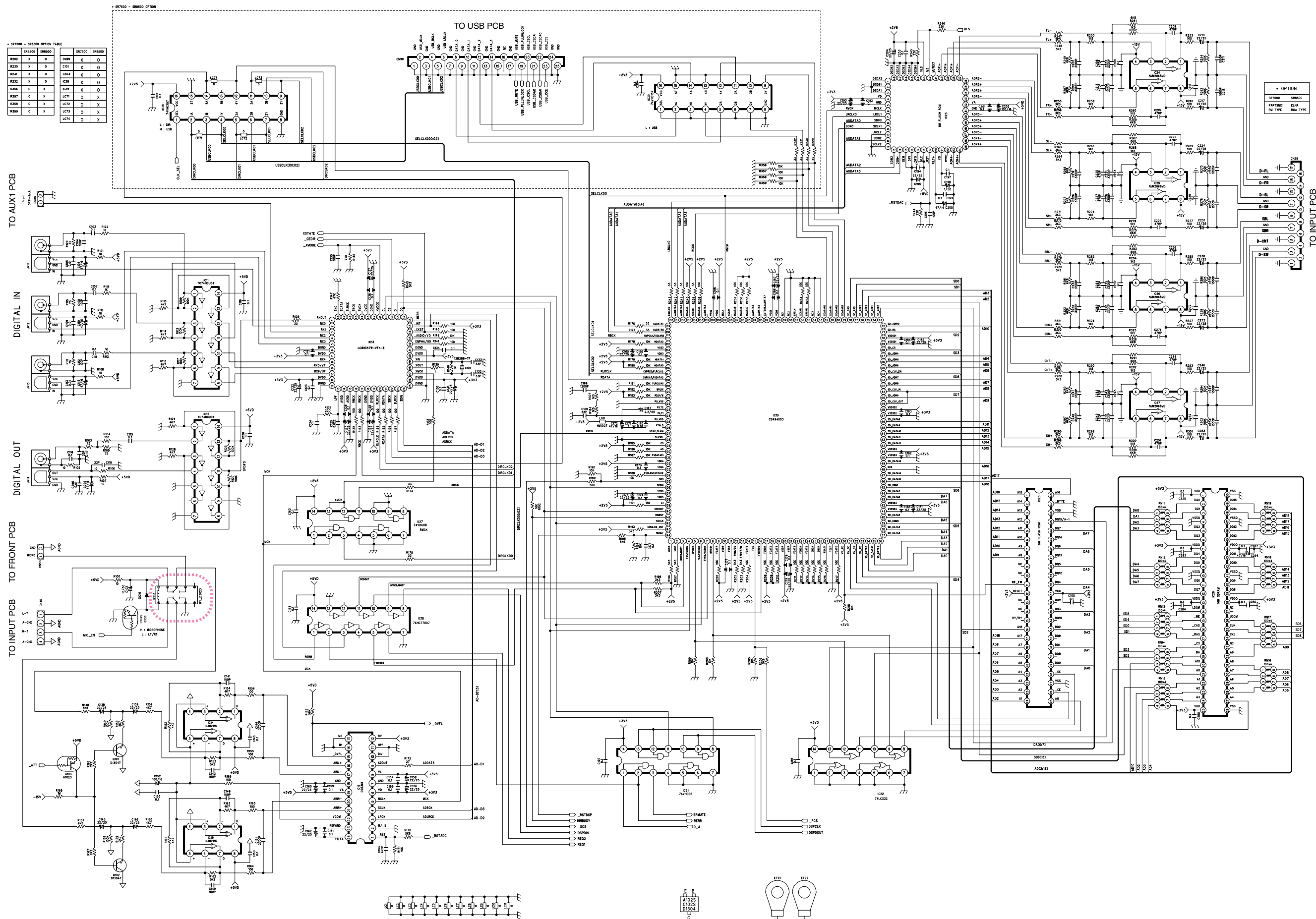
FROM VOLUME PCB
9P-2.0MM-4K
WIRE ASS'Y

FROM VOLUME PCB
9P-2.0MM-4K

DSP PCB - 1/2



DSP PCB - 2/2



• SR7500 - SR8500 OPTION TABLE

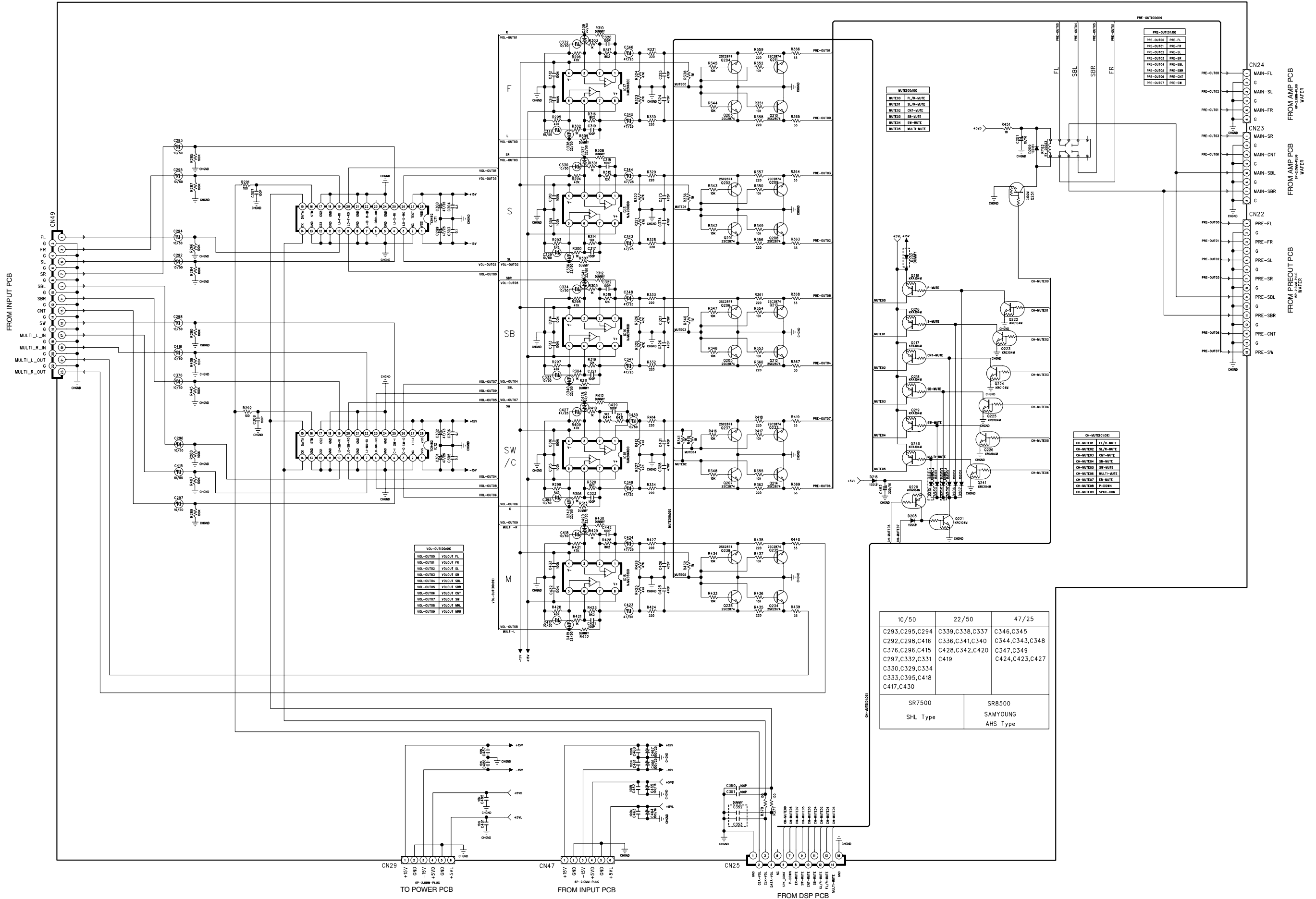
	SR7500	SR8500
R239	X	O
R235	X	O
R231	X	O
R236	X	O
R356	O	X
R358	O	X
R359	O	X

	SR7500	SR8500
C049	X	O
C054	X	O
K338	X	O
K339	X	O
L071	O	X
L072	O	X
L073	O	X
L074	O	X

• OPTION

SR7500	SR8500
PARTNO	ELM
REV TYPE	PCA TYPE

VOLUME PCB



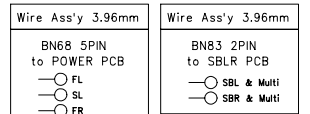
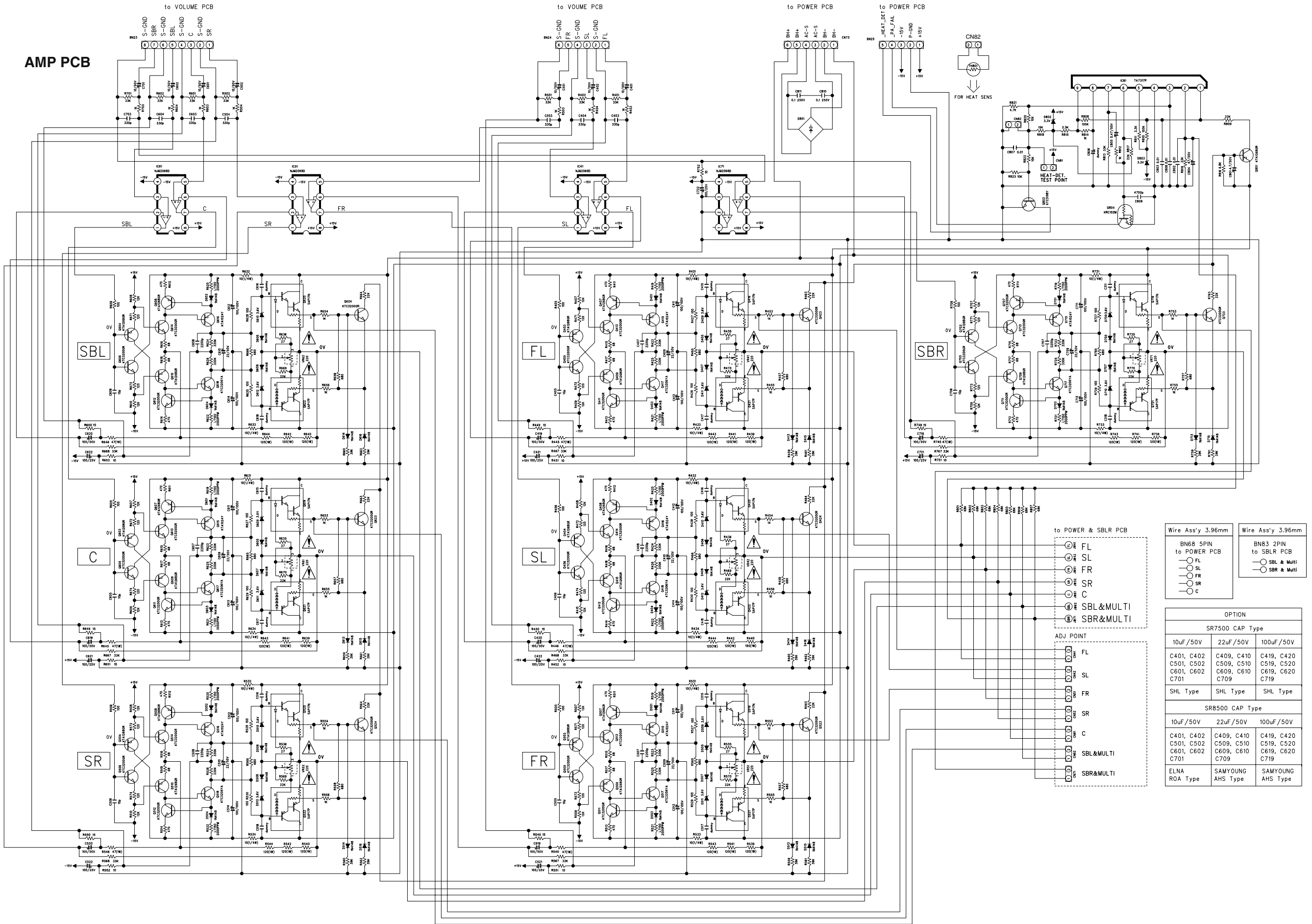
VOL-OUT00-091	
VOL-OUT00	VOLOUT FL
VOL-OUT01	VOLOUT FR
VOL-OUT02	VOLOUT SL
VOL-OUT03	VOLOUT SR
VOL-OUT04	VOLOUT SBL
VOL-OUT05	VOLOUT SBR
VOL-OUT06	VOLOUT CNT
VOL-OUT07	VOLOUT SW
VOL-OUT08	VOLOUT MFL
VOL-OUT09	VOLOUT MFR

MUTE00-003	
MUTE00	FL/M-MUTE
MUTE01	SL/M-MUTE
MUTE02	FR/M-MUTE
MUTE03	SR/M-MUTE
MUTE04	SB-MUTE
MUTE05	SW-MUTE
MUTE06	MULTI-MUTE

CH-MUTE00-003	
CH-MUTE01	FL/M-MUTE
CH-MUTE02	SL/M-MUTE
CH-MUTE03	FR/M-MUTE
CH-MUTE04	SR/M-MUTE
CH-MUTE05	SB-MUTE
CH-MUTE06	SW-MUTE
CH-MUTE07	MULTI-MUTE
CH-MUTE08	F-DBN
CH-MUTE09	SPKC-COR

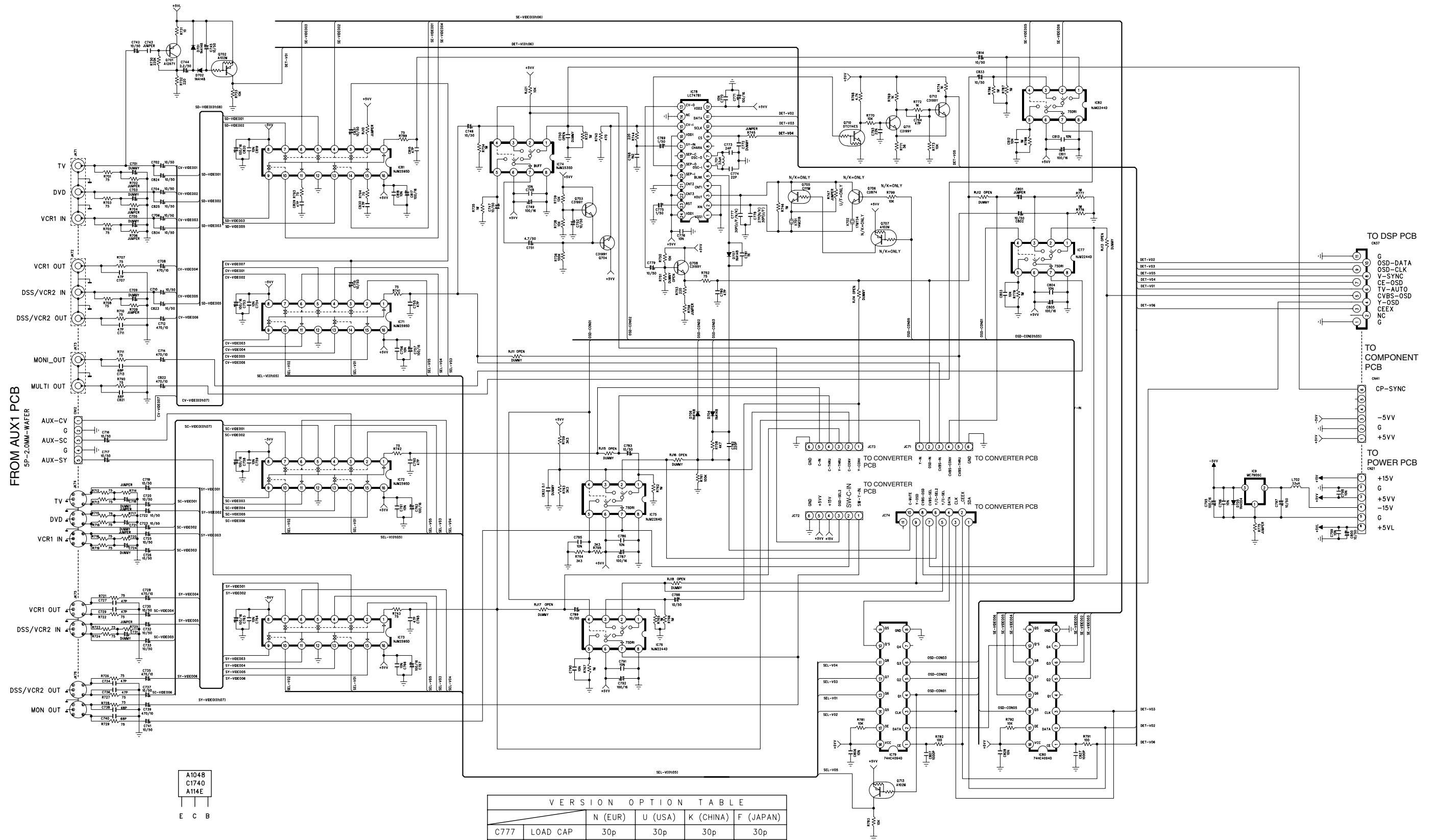
10/50	22/50	47/25
C293,C295,C294	C339,C338,C337	C346,C345
C292,C298,C416	C336,C341,C340	C344,C343,C348
C376,C296,C415	C428,C342,C420	C347,C349
C297,C332,C331	C419	C424,C423,C427
C330,C329,C334		
C333,C395,C418		
C417,C430		
SR7500	SR8500	
SHL Type	SAMYOUNG AHS Type	

AMP PCB



OPTION		
SR7500 CAP Type		
10uF/50V	22uF/50V	100uF/50V
C401, C402	C409, C410	C419, C420
C501, C502	C509, C510	C519, C520
C601, C602	C609, C610	C619, C620
C701	C709	C719
SHL Type	SHL Type	SHL Type
SR8500 CAP Type		
10uF/50V	22uF/50V	100uF/50V
C401, C402	C409, C410	C419, C420
C501, C502	C509, C510	C519, C520
C601, C602	C609, C610	C619, C620
C701	C709	C719
ELNA ROA Type	SAMYOUNG AHS Type	SAMYOUNG AHS Type

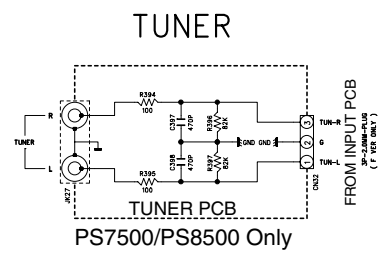
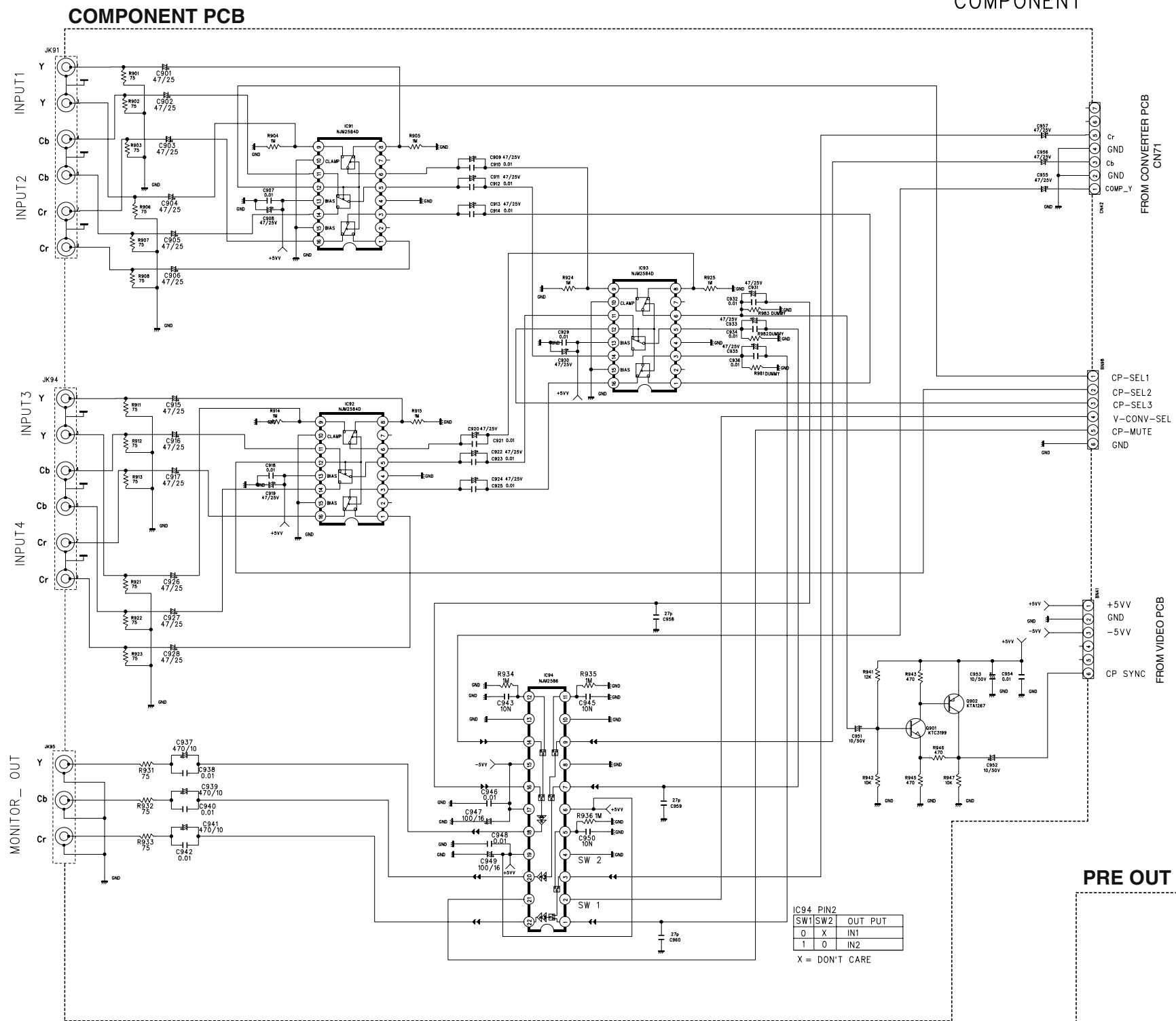
VIDEO PCB



VERSION OPTION TABLE

		N (EUR)	U (USA)	K (CHINA)	F (JAPAN)
C777	LOAD CAP	30p	30p	30p	30p
C778	LOAD CAP	27p	30p	27p	30p
Q705	KRC111M	○	×	○	×
Q706	KRC111M	○	×	○	×
Q707	KRA102M	○	×	○	×
R747	JUMPER	×	○	×	○
X702	17.734MHz	○	×	○	×

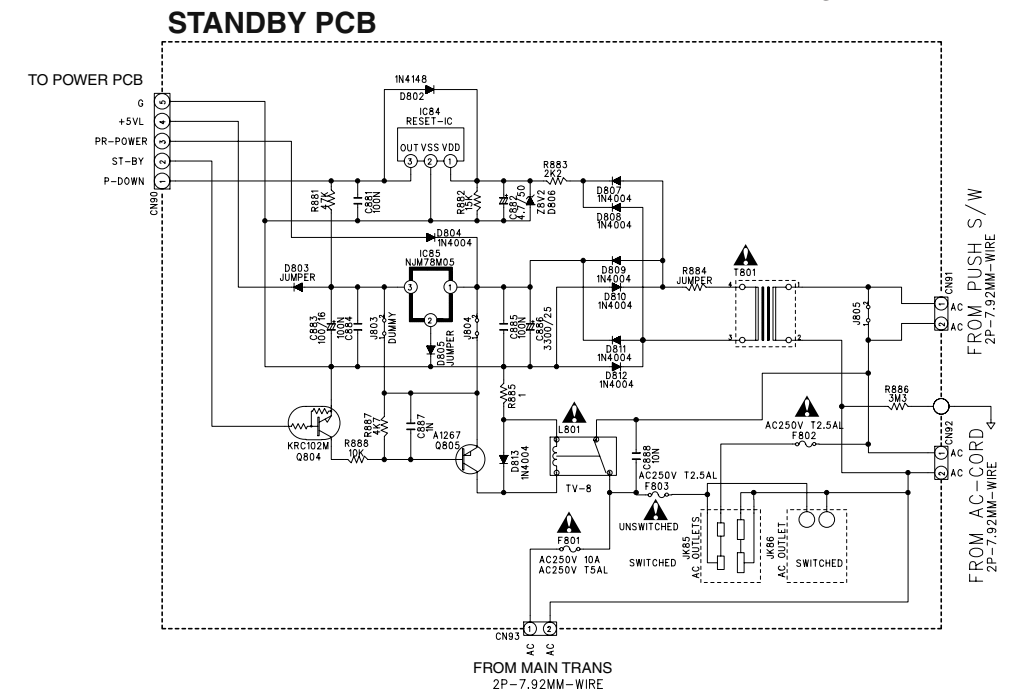
COMPONENT



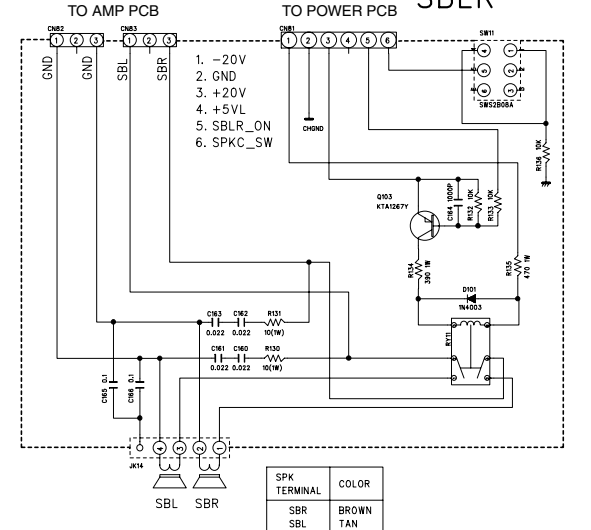
IC94 PIN2	SW1	SW2	OUT	PUT
0	X		IN1	
1		0	IN2	

X = DON'T CARE

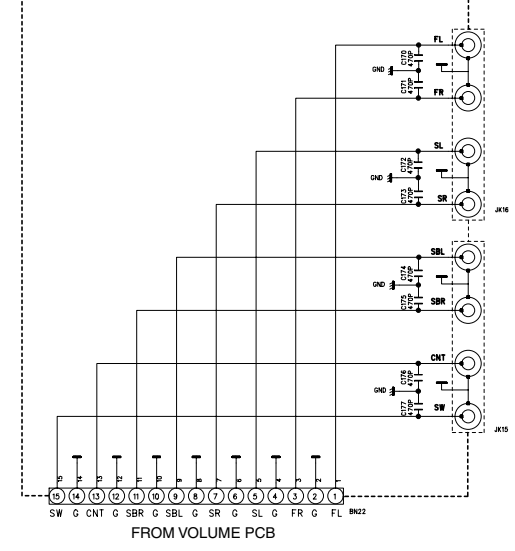
STANDBY



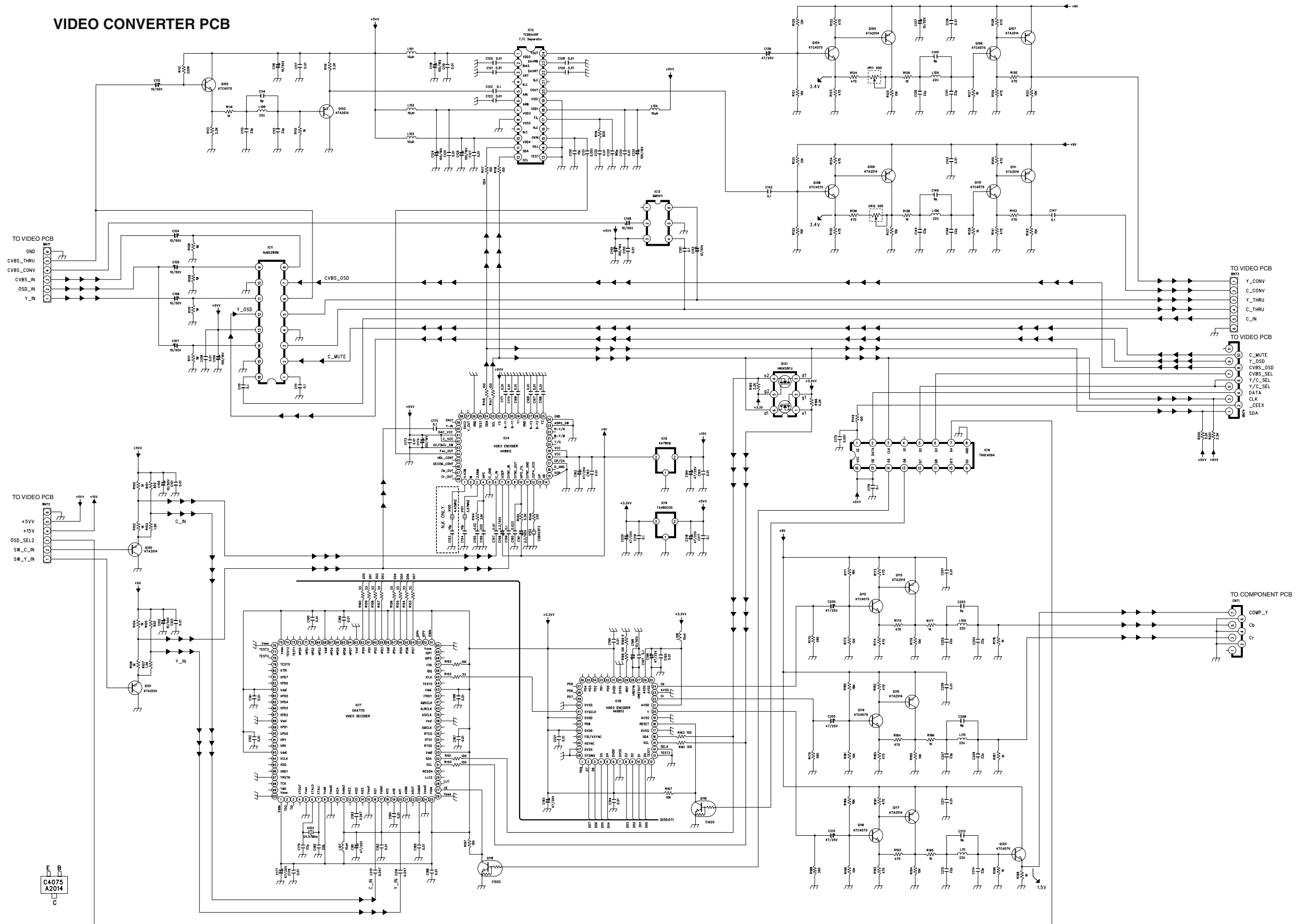
SBLR PCB



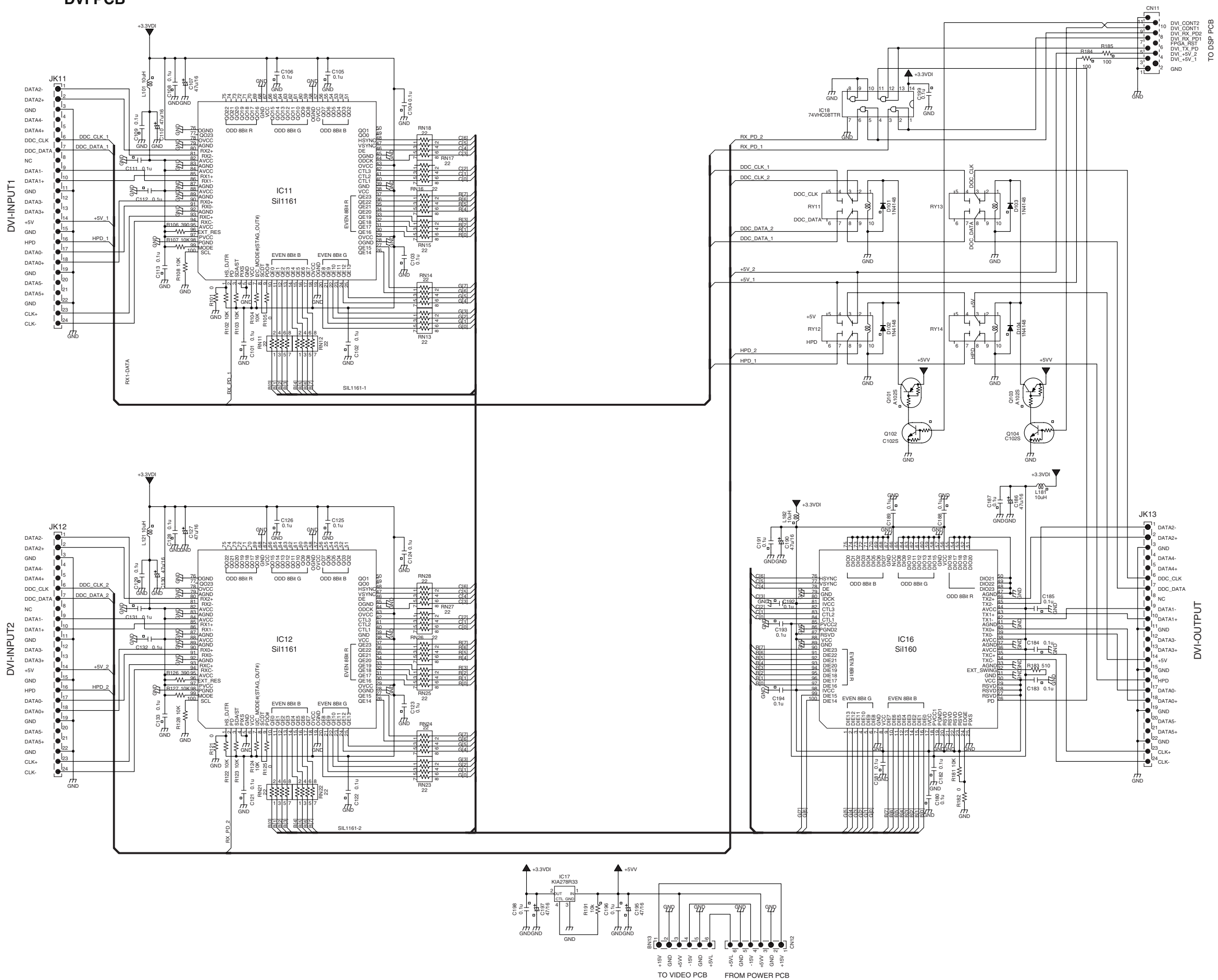
PRE OUT PCB



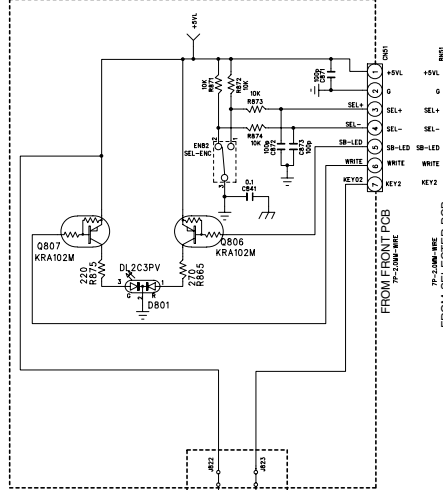
VIDEO CONVERTER PCB



DVI PCB

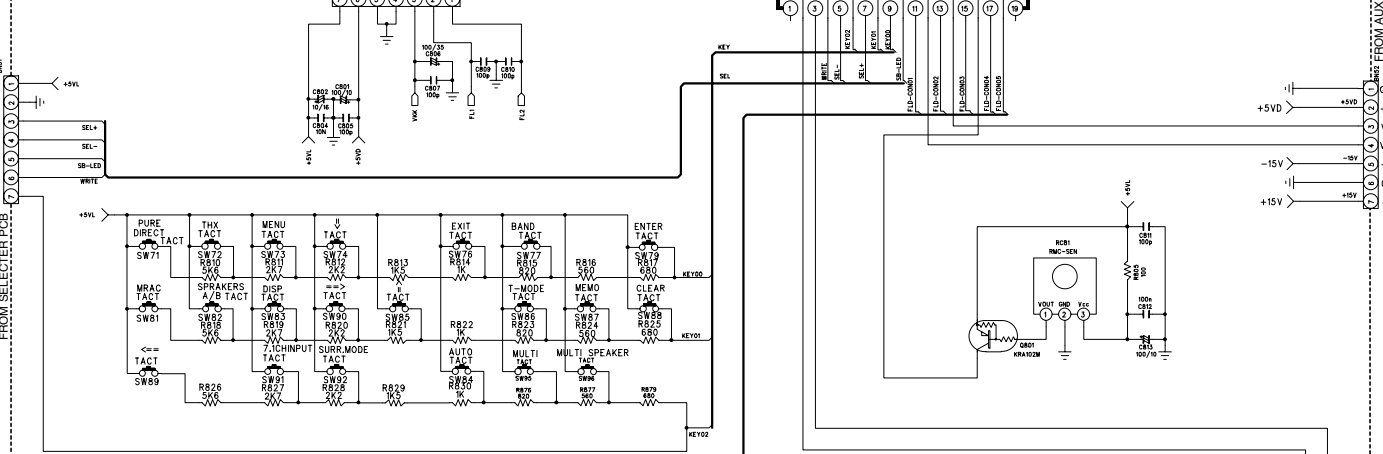


SELECTOR PCB



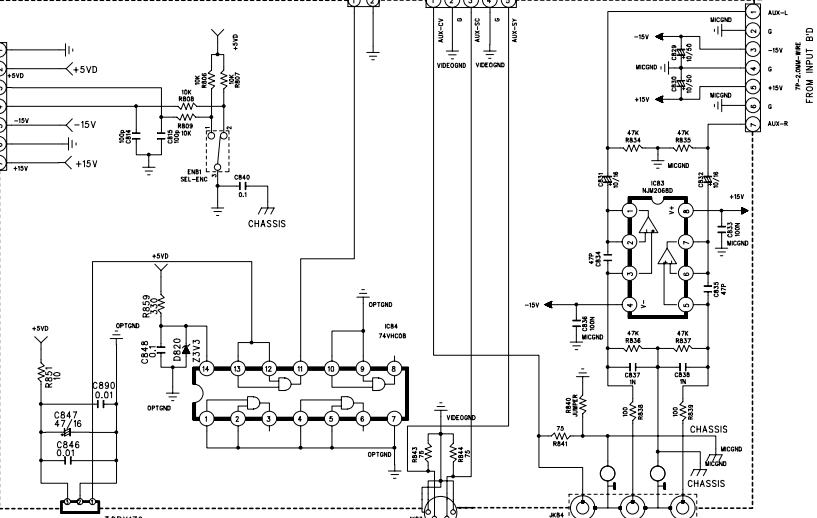
U VERSION ONLY

FRONT PCB

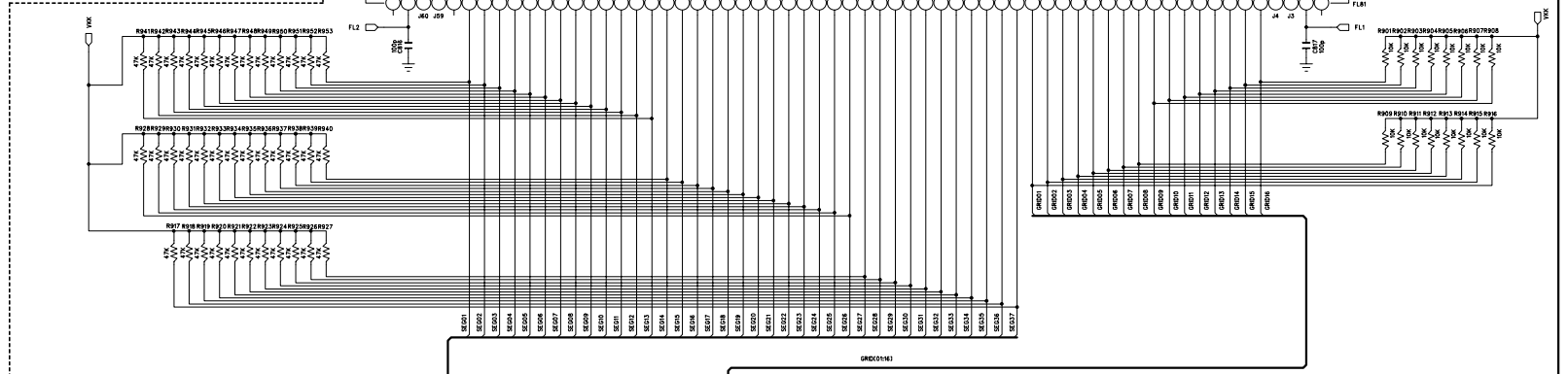


FRONT

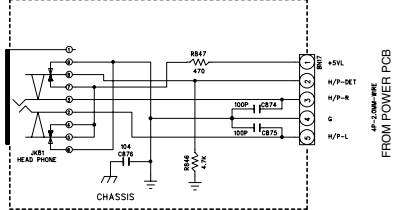
AUX1 PCB



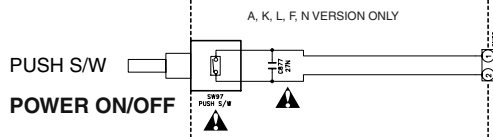
AUX1



H/P PCB



H/P

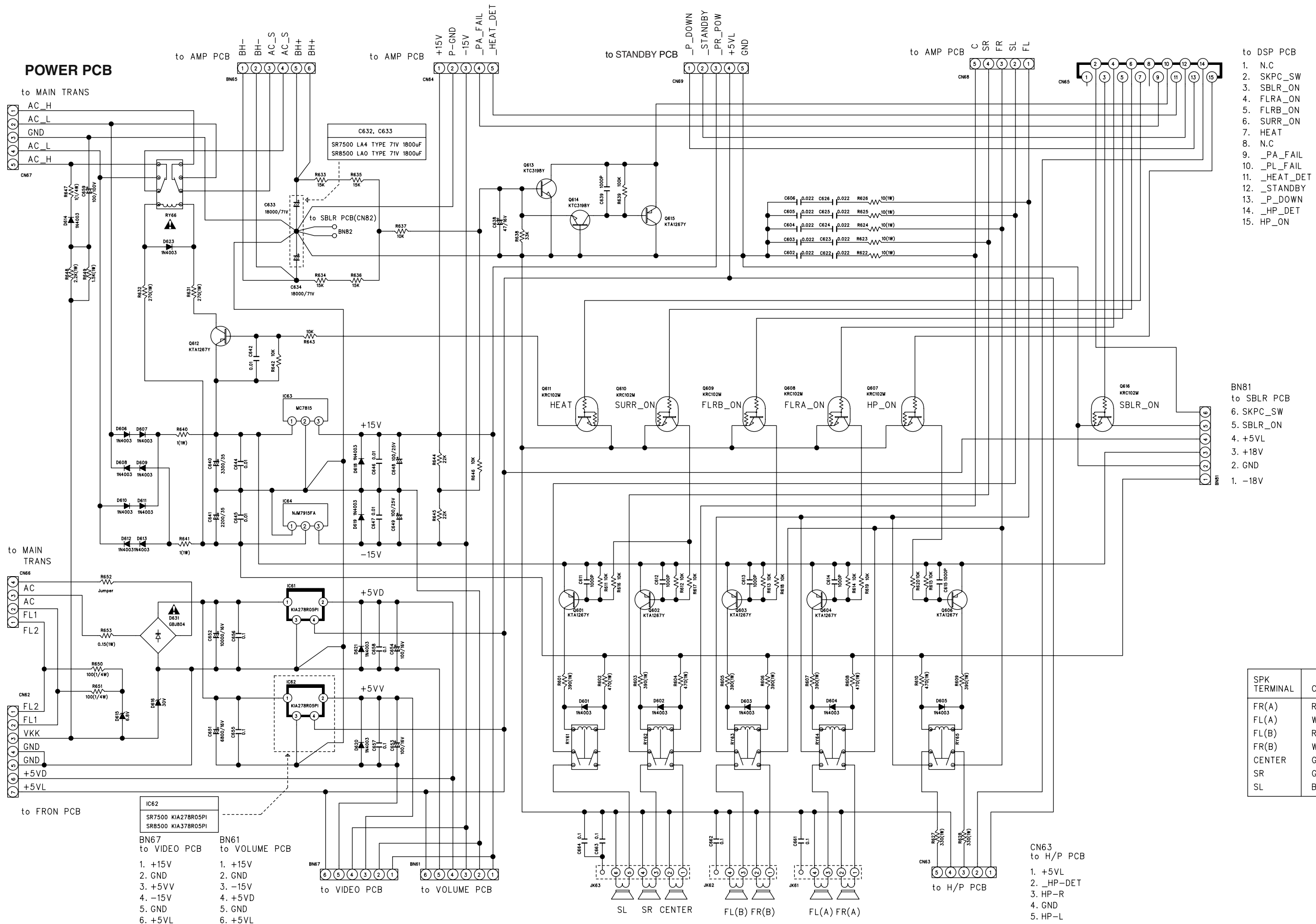


PUSH S/W
POWER ON/OFF

PUSH PCB

A, K, L, F, N VERSION ONLY





- to DSP PCB
1. N.C
 2. SKPC_SW
 3. SBLR_ON
 4. FLRA_ON
 5. FLRB_ON
 6. SURR_ON
 7. HEAT
 8. N.C
 9. _PA_FAIL
 10. _PL_FAIL
 11. _HEAT_DET
 12. _STANDBY
 13. _P_DOWN
 14. _HP_DET
 15. HP_ON

- BN81 to SBLR PCB
6. SKPC_SW
 5. SBLR_ON
 4. +5VL
 3. +18V
 2. GND
 1. -18V

SPK TERMINAL	COLOR
FR(A)	RED
FL(A)	WHITE
FL(B)	RED
FR(B)	WHITE
CENTER	GREEN
SR	GRAY
SL	BROWN

- IC62
SR7500 KIA27BR05PI
SR8500 KIA37BR05PI
- BN67 to VIDEO PCB
1. +15V
 2. GND
 3. +5VV
 4. -15V
 5. GND
 6. +5VL
- BN61 to VOLUME PCB
1. +15V
 2. GND
 3. -15V
 4. +5VD
 5. GND
 6. +5VL

- CN63 to H/P PCB
1. +5VL
 2. _HP-DET
 3. HP-R
 4. GND
 5. HP-L